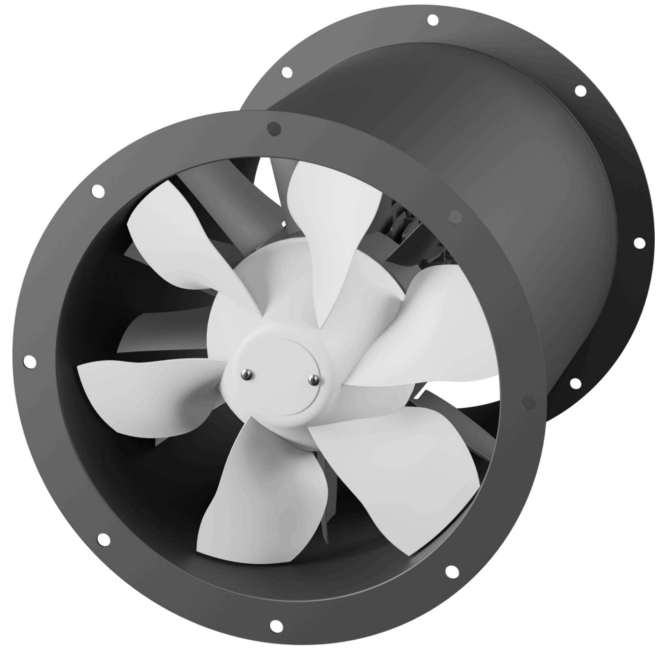


AL 315 EC 01

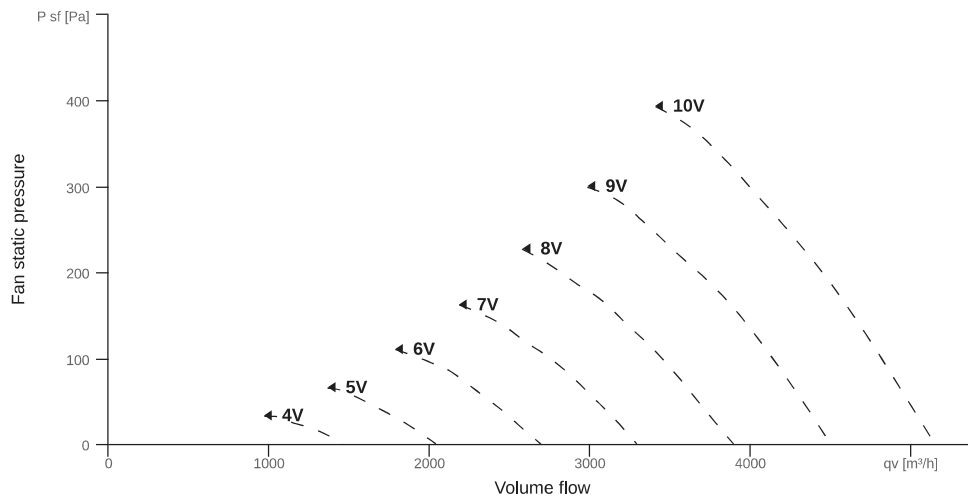
154136

- Innovative, high-efficiency axial fan
- Optimally tuned, CFD-optimized aerodynamics
- Housing weight optimized, powder coated
- High efficiency IE5 motor, steplessly controllable
- Conveyed medium temperature up to 60 °C in continuous operation
- Exceeds current ErP regulation by 15 - 20%



FAN CURVES

Name	Value	Unit
Volume flow	0	m³/h
Pressure	0	Pa



to the product detail page

AL 315 EC 01

154136

ruck

GENERAL DATA

Name	Value	Unit	Formula symbol
Labeling	CE, UKCA		
Duct size	-		WxH _{duct}
Pipe connection size (DN)	DN315		DN
Rated voltage (entire device)	230	V	U _{rated}
Phases (entire device)	1~		phase
Electrical protection (entire device)	6 A		fuse
Housing material	Coated steel		mat _{casing}
Impeller material	Coated steel		mat _{impeller}
Weight	1	kg	m
Fan type	Axial		Fan _{type}
Category / Installation situation	B		cat

MAXIMAL DATA

Name	Value		Unit	Formula symbol
	50 Hz	60 Hz		
Max. power consumption (device)	900	900	W	P _{ed, max}
Max. operating current (device)	5	5	A	I _{ed, max}
Max. speed	3010	3010	1/min	n _{max}
Max. stat. efficiency	53.2	53.2	%	η _{es}
Max. fan efficiency	68.4	68.4	%	η _e
Max. flowrate	5150	5150	m ³ /h	Q _{v, max}
Max. stat pressure	390	390	Pa	p _{sf, max}
Max. medium temperature	60	60	°C	T _{m, max}
Max. environment temperature	60	60	°C	T _{amb, max}
Min. environment temperature	-20	-20	°C	T _{amb, min}



to the product detail page

MOTOR DATA

Name	Value		Unit	Formula symbol
	50 Hz	60 Hz		
Rated frequency (device)		50		f
Motor type		EC		phase
Control type		stepless-controlled		ctrltype
Installation type		IRM (In)		install
Isolation class		ISO F		ISOclass
Motor-protection		TEC		protectmotor
Protection class		IP55		IPmotor
Is pole-changeable		No		polexch
Type of power supply		AC 1~		pwrsupmotor
Rated voltage	220		V	U _{rated, f1}
Rated voltage (wiring 2)	277		V	U _{rated, f2}
Rated current	5.9		A	I _{rated, f1}
Rated current (wiring 2)	5.1		A	I _{rated, f2}
Shaft power	750		W	P _{out, f1}
Shaft power (wiring 2)	750		W	P _{out, f2}
Speed	3000		1/min	n _{f1}
Speed (wiring 2)	3000		1/min	n _{f2}
Efficiency	86.3		%	η _{m, f1}
Efficiency (wiring 2)	86.3		%	η _{m, f2}
Min. temperature	-20		°C	T _{motor, min}
UL-Certification motor		None		ULcert

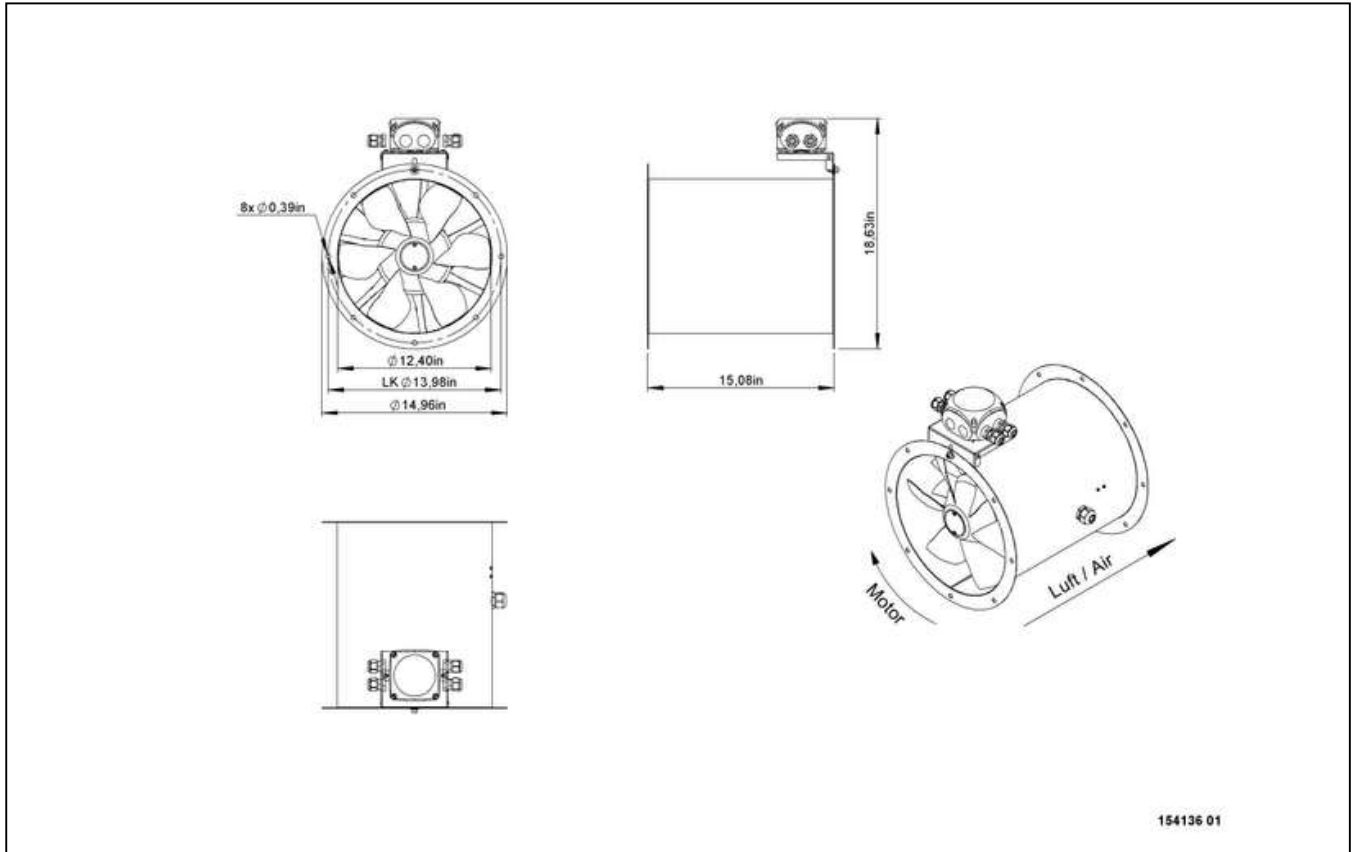
ERP DATA (LOT11)

Name	Value	Unit	Formula symbol
Speed at the energy efficiency optimum	3009	1/min	n _{opt}
Efficiency level	71.3	%	N
Efficiency category	total		cat _{efficiency}
Input power of the motor at the energy efficiency optimum	0,64	kW	P _{e, opt}
Overall efficiency	78.8	%	η _{ges}
Measurement category	B		meas cat
Fan pressure at energy efficiency optimum	389	Pa	p _{f, opt}
Flowrate at energy efficiency optimum	3733	m³/h	Q _{v, opt}



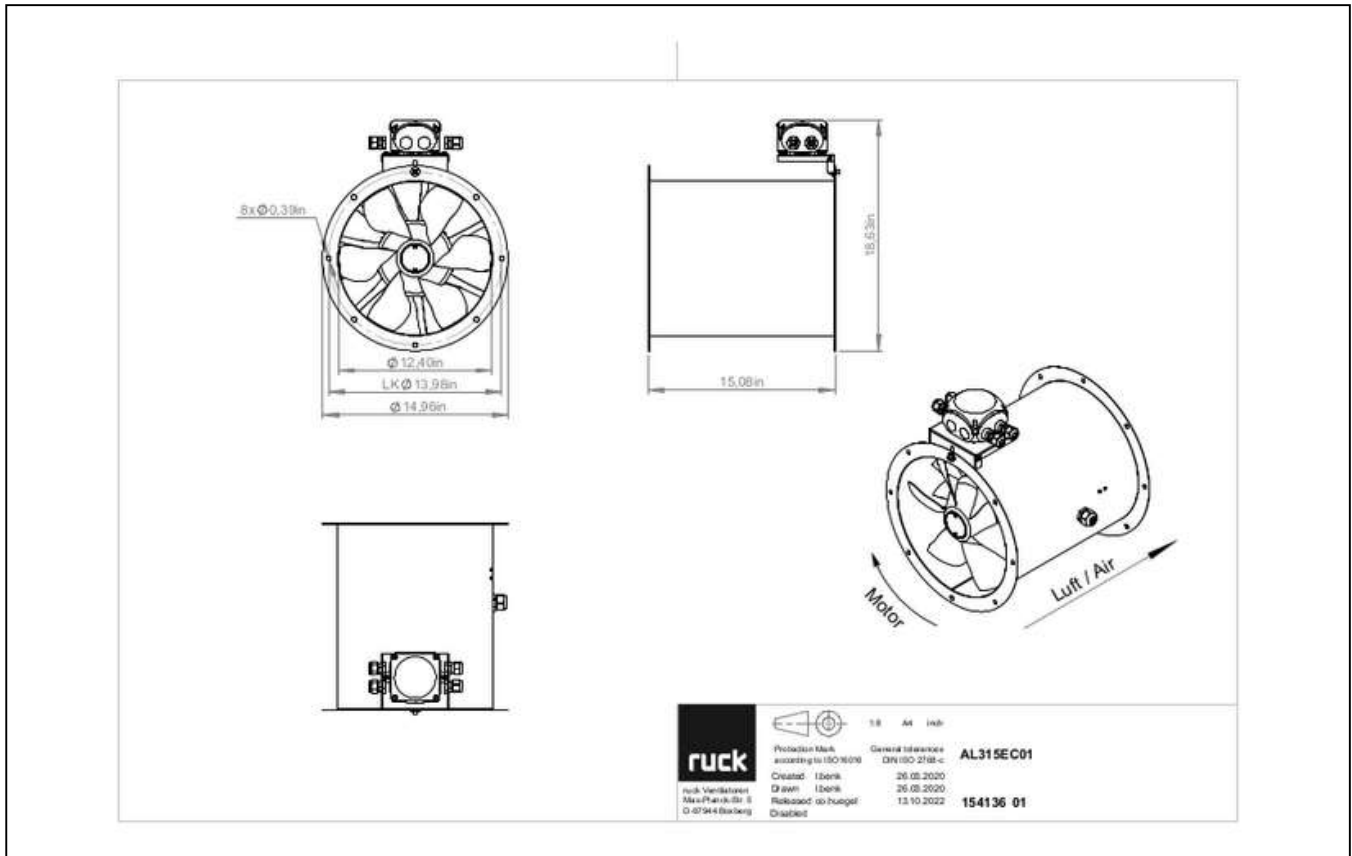
to the product detail page

CIRCUIT DIAGRAMS / DIMENSIONAL DRAWINGS



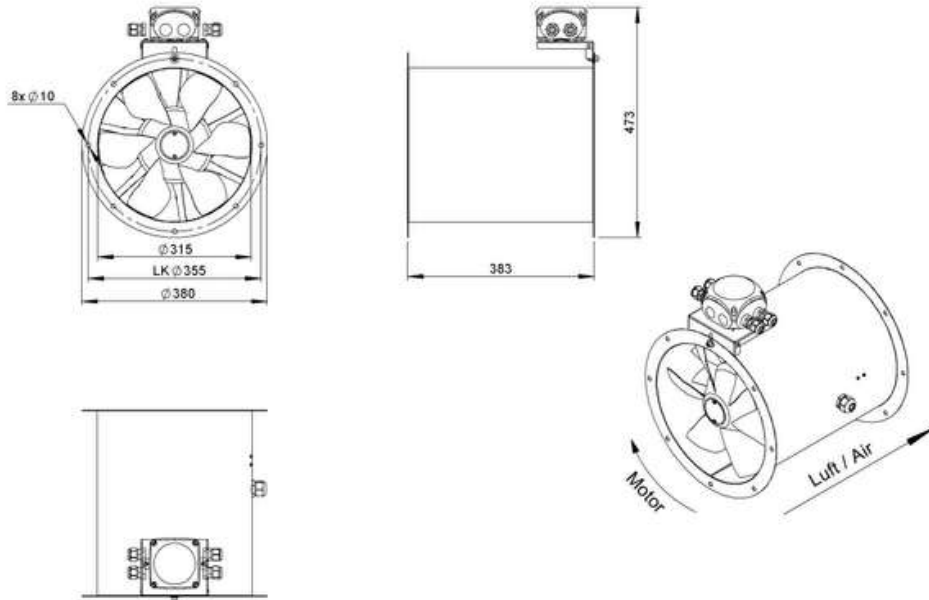
AL 315 EC 01

154136



AL 315 EC 01

154136

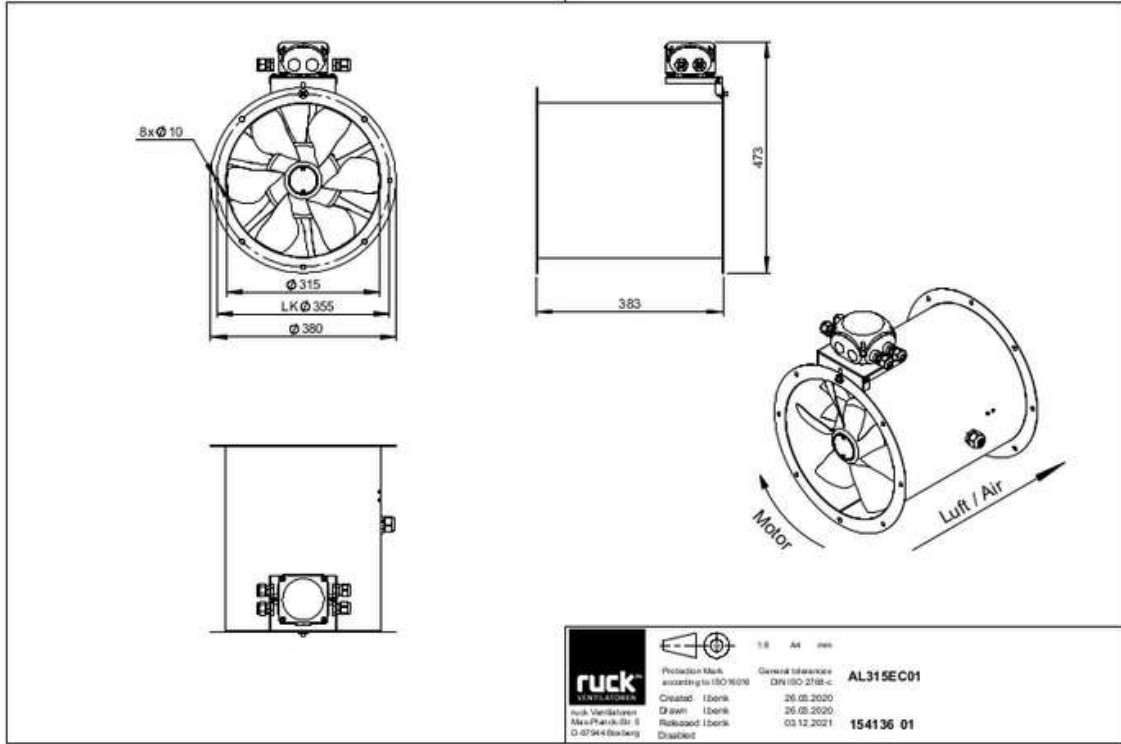


154136 01



AL 315 EC 01

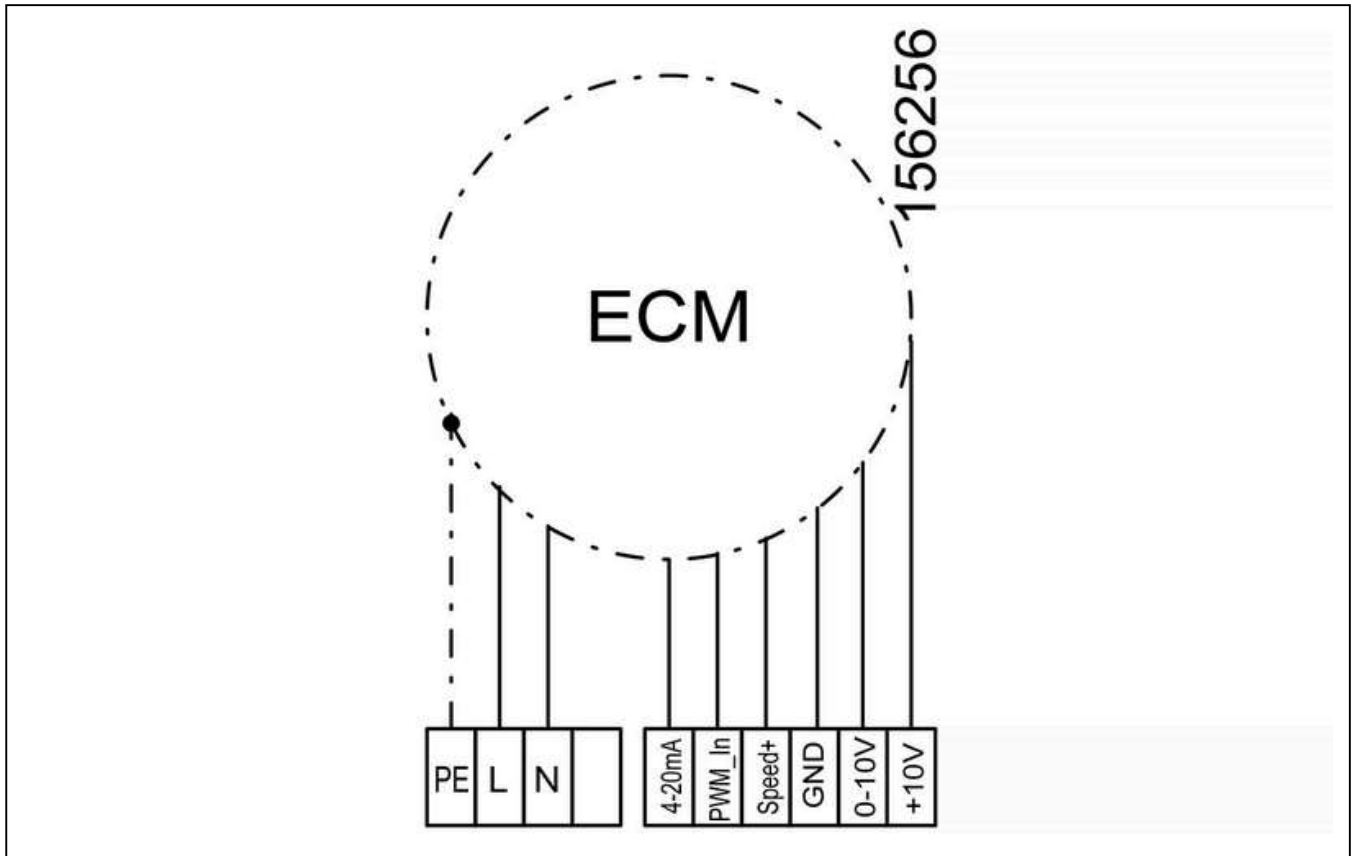
154136



to the product detail page

AL 315 EC 01

154136



AL 315 EC 01

154136

MECHANICAL ACCESSORIES

RVK 315 | 153873



- Automatic tube shutter
- Sheet steel, powder coated
- For vertical installation
- Flange mounting

RVK H 315 | 155010



- Automatic tube shutter
- Sheet steel, powder coated
- For horizontal installation
- Flange mounting

RAF 315 | 154016



- Round flange
- Sheet steel, powder coated

RVS 315 | 154174



- Tube connection spigot
- Sheet steel, powder coated
- Suitable for outdoor installation
- Flange mounting

RAS 315 | 154246



- Round spigot, flexible
- Galvanized steel sheet, plastic band (PES)
- Temperature resistant up to 75 °C
- Flange mounting

ESD 315 | 153962



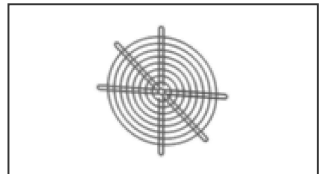
- Inlet cone
- Steel sheet, powder coated
- Flange mounting

FAL 315 | 154805



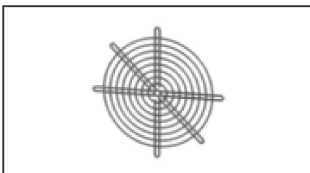
- Mounting foot
- Sheet steel, powder coated

SGW 315 | 154047



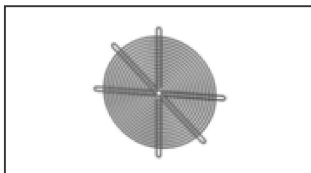
- Protection grille, wide meshed
- Steel sheet, galvanized
- Flange mounting

SGW 355 | 154049



- Protection grille, wide meshed
- Steel sheet, galvanized
- Flange mounting

SGE 315 | 154058



- Protection grille, narrow meshed
- Steel sheet, galvanized
- Flange mounting

FSD 01 | 155498



- Set of 4 vibration dampers
- All metal design, galvanized

FSD 05 | 155502



- Set of 4 vibration dampers
- Made of natural rubber, hardness 55 Shore A

MR 315 | 165670



- Mounting ring
- For vertical mounting
- Powder-coated sheet steel
- Flange mounting DN 315



to the product detail page

AL 315 EC 01

154136

ELECTRICAL ACCESSORIES

MTP 20 | 128146



- Potentiometer 10 k Ω
- Switching contact 1A/250V AC - 2,5A/12V DC
- Max. ambient temperature 50 °C
- VDE

MTP 30 | 143289



- Stepped potentiometer 10 k Ω
- Step 1 + 2 settable 10 % - 100 % Vdc
- Step 3 100 % Vdc
- Supply voltage +10 Vdc

MTP 40 | 147359



- Potentiometer 10 k Ω
- Connection in terminal box
- Max. ambient temperature 50 °C
- PU: 20 pieces

SEN AIR | 148641



- Airflow and temperature transducer
- Measuring range temperature 0...+50 °C
- With adjustable switching threshold (air speed)
- Measuring range air velocity up to 20 m/s

CON P1000 | 115259



- Constant pressure control
- Actual value display possible via optional control unit
- Output 0-10 V DC + FC enable + setpoint reached
- Pressure setting by means of decade switch

GS 02 | 169671



- Isolator switch
- U_{max} = 400 V, 50/60 Hz
- Switching capacity 400 V 3~ = 7,5 kW
- I_{max} = 25 A



to the product detail page